



LET THE SHOW BEGIN

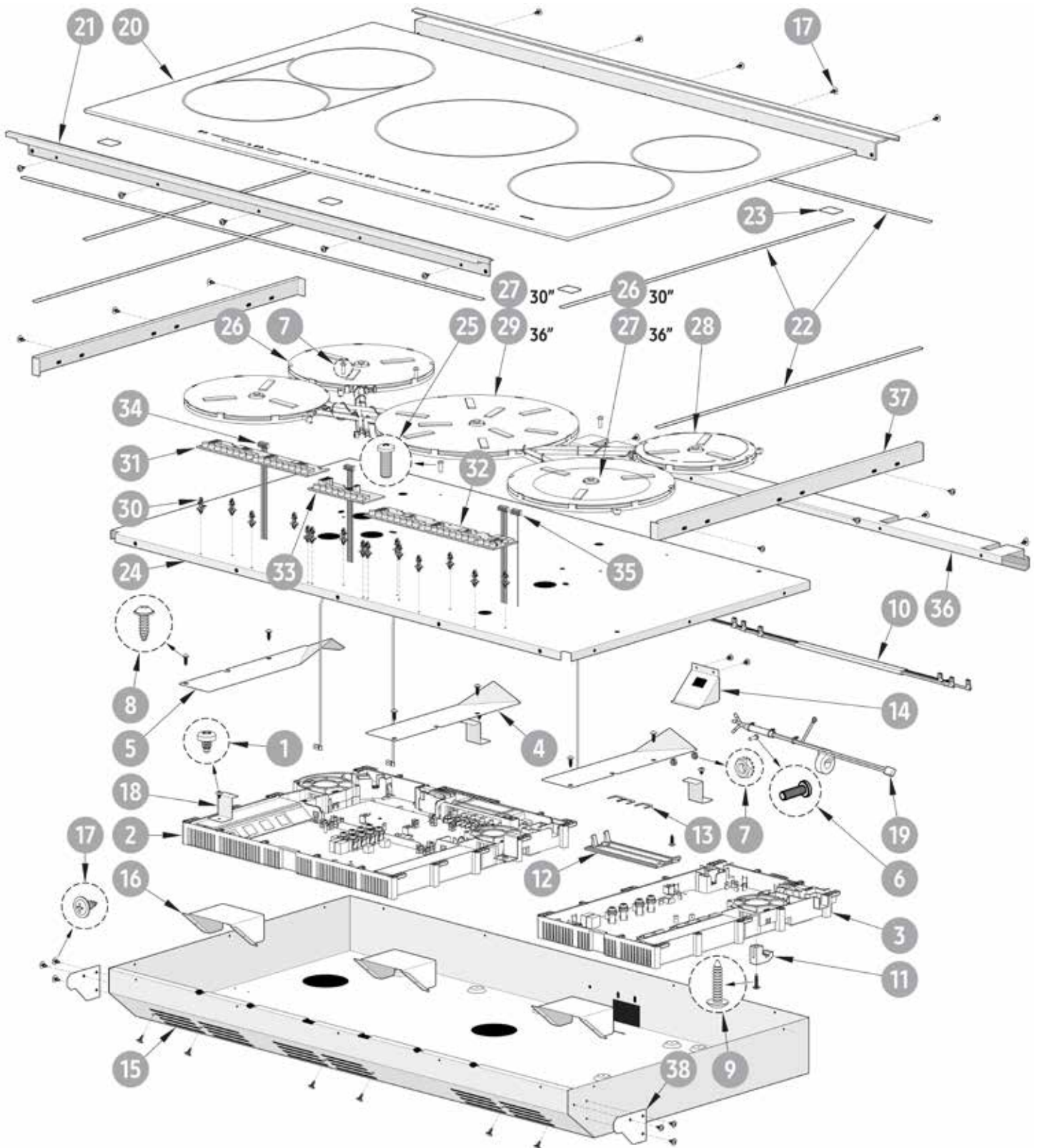
PARTS CATALOG

HIPR30S, HIPR36S Heritage Induction Pro Range

Assembly Drawings	
Click Page	Description
2	Induction-Cooktop Assembly
4	Cooktop Assembly
5	Control-Panel Sub-Assembly
6	Cooktop-and-Oven Assembly
8	Oven-Base Assembly
10	Oven-Case Assembly
12	Oven-Cell Assembly
14	Base Assembly
16	Bake Assembly

HIPR30/36 Induction-Cooktop Assembly

HIPR36 Shown—Parts List Next Page



[Return to Page 1](#)

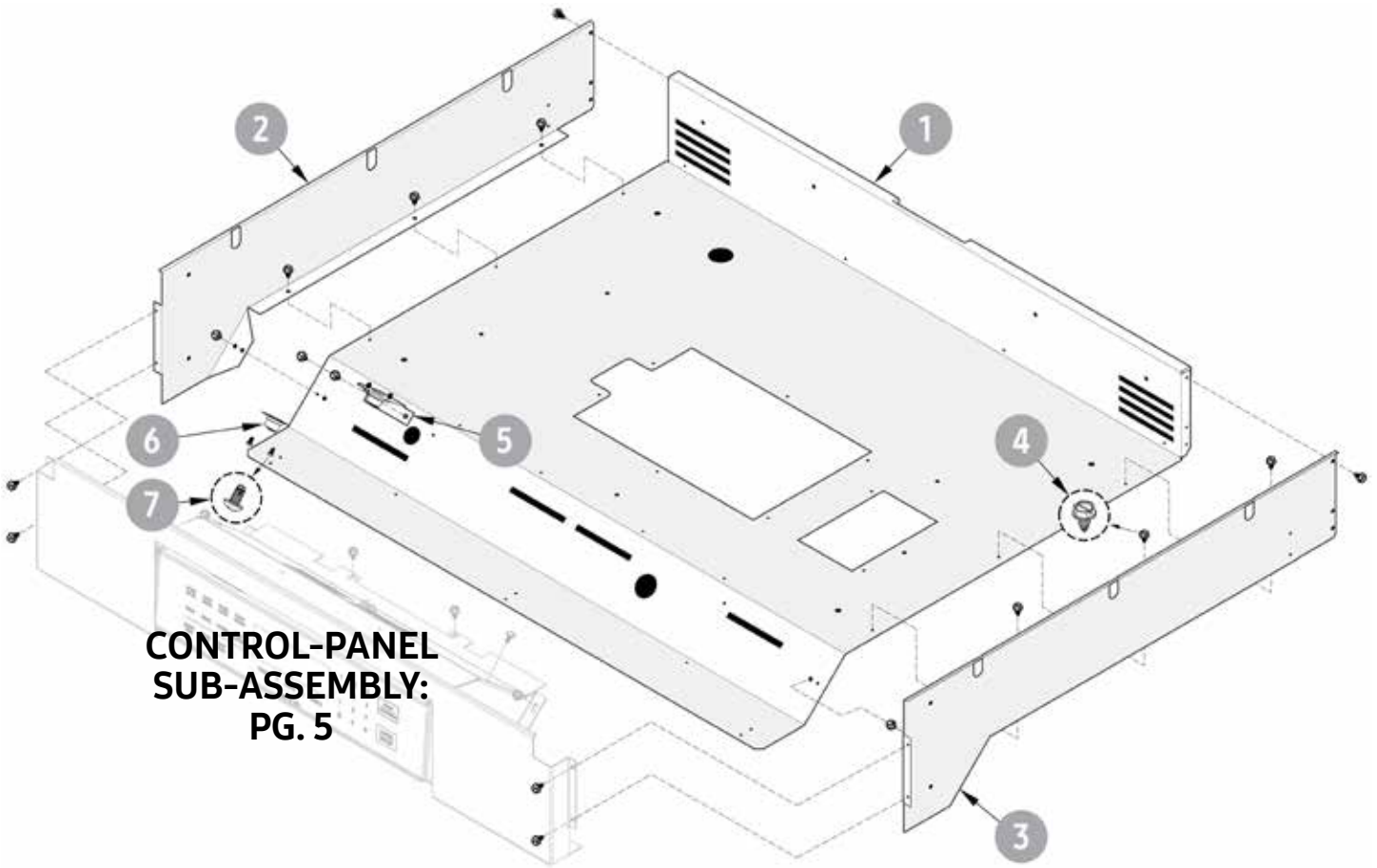
HIPR30/36 Induction-Cooktop-Assembly Parts List

Item	Part No. (HIPR30)	Part No. (HIPR36)	Description
1	83001	83001	#8 x 1/4" Phillips Panhead Screw
2	109291	109291	3-Burner Generator Master
3	109292	109292	2-Burner Generator Slave
4	109357-01	109357-01	Right Generator Heat-Sink Cover
5	109357-02	109357-02	Left Generator Heat-Sink Cover
6	83572	83572	#8-32 x .50" L Screw
7	83048	83048	#8-32 Hex Keps Nut
8	83709	83709	Black Oxide #8 x 1/2" Torx Screw
9	83010	83010	#8 x 3/4" Phillips Panhead Screw
10	109297	109297	Generator Harness
11	109343	109343	Plastic Strain Relief
12	109414	109414	Generator Cover
13	109534	109534	Generator Jumper
14	113748	113748	Quick-Connector Bracket
15	113737	113761	Induction Box
16	113739	113739	Duct Chassis
17	83263	83263	Phillips Round-Washer-Head Screw
18	109358	109358	Generator Clamp
19	113759	113759	Cooktop Wire Harness
20	113760	113763	Induction Glass Top
21	113757	113767	Aluminum Trim
22	113848	113848	30 ft. Poron-4701-37 Tape
23	113871	113871	Scotch Rubber Mastic Tape 2228-1 x 10 ft.
24	109260	109048	Coil Plate
25	83433	83433	Type F #10-32 x 1/2" Phillips Panhead Screw
26	109287	109287	3.0Kw L = 250 mm 180 Inductor Coil
27	109288	109288	3.7Kw L = 250 mm 210 Inductor Coil
28	109289	109289	2.2Kw L = 250 mm 145 Inductor Coil
29	—	109290	3.7Kw L = 200 mm 260 Inductor Coil
30	109313-02	109313-02	PCB Locking Support
31	109294	109294	Bridge Control Slave 1
32	113810	113819	Master Control
33	109295	109295	Single Control Slave 2
34	109301	109301	Inter/Gen Wire Harness
35	109299	109299	Inter/Gen Wire Harness
36	113798	113797	Spacer Bracket
37	113853	113853	Glass Frame
38	113968	113968	Induction-Box Support Bracket

[Return to Page 1](#)

HIPR30/36 Cooktop Assembly & Parts List

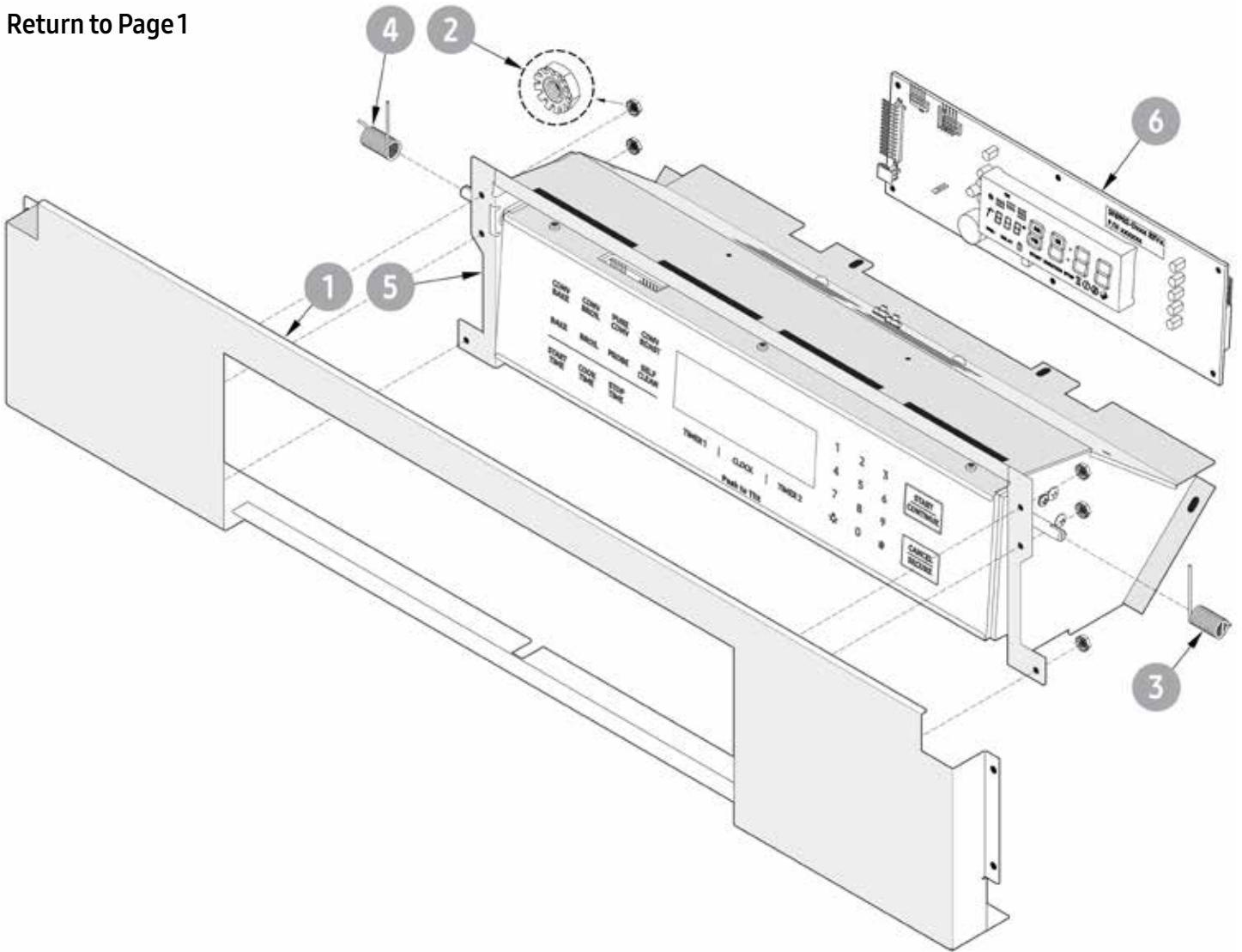
Return to Page 1



Item	Part No. (HIPR30S)	Part No. (HIPR36S)	Description
1	113734	113764	Base Chassis
2	113735-01	113735-01	Upper Left-Hand Support
3	113735-02	113735-02	Upper Right-Hand Support
4	83023	83023	#10 x 3/8" Hex Washer-Head Slotted Screw
5	703585	703585	Cooling-Fan Bracket Assembly
6	113806	113806	Cooling-Fan Switch Pts-12R
7	103695	103695	#6-32 x 1/4" Screw

HIPR30/36 Control-Panel Sub-Assembly & Parts List

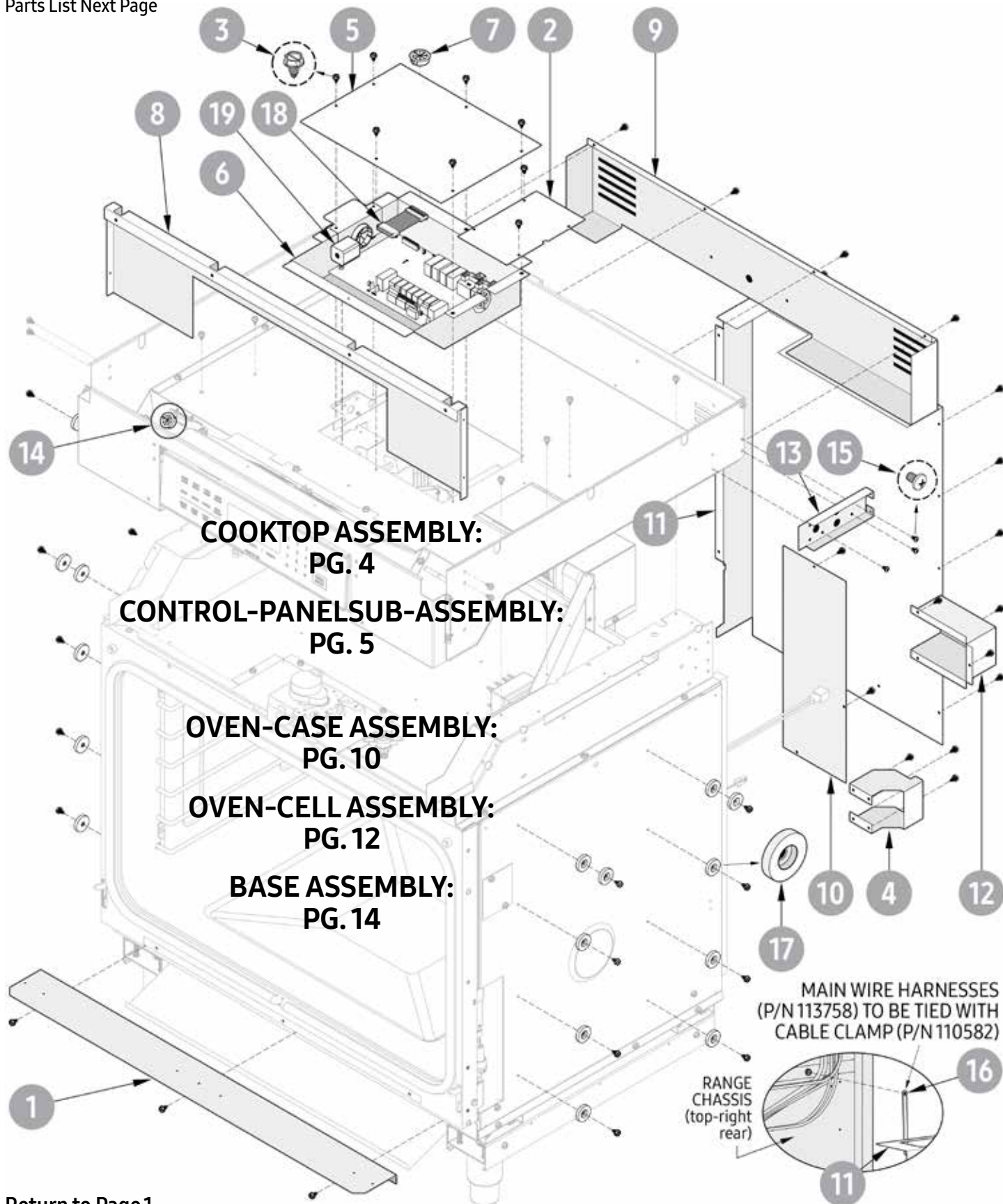
Return to Page 1



Item	Part No. (HIPR30S)	Part No. (HIPR36S)	Description
1	703498	703515	Sub-Panel Stud Assembly
2	83308	83308	6-32 Keps Nut
3	100062	100062	Right Torsion Spring
4	100063	100063	Left Torsion Spring
5	703479	703479	Flip-Up Control Assembly
6	105335	105335	LED Display Module (Single Oven)

HIPR30/36 Cooktop-And-Oven Assembly

Parts List Next Page



Return to Page 1

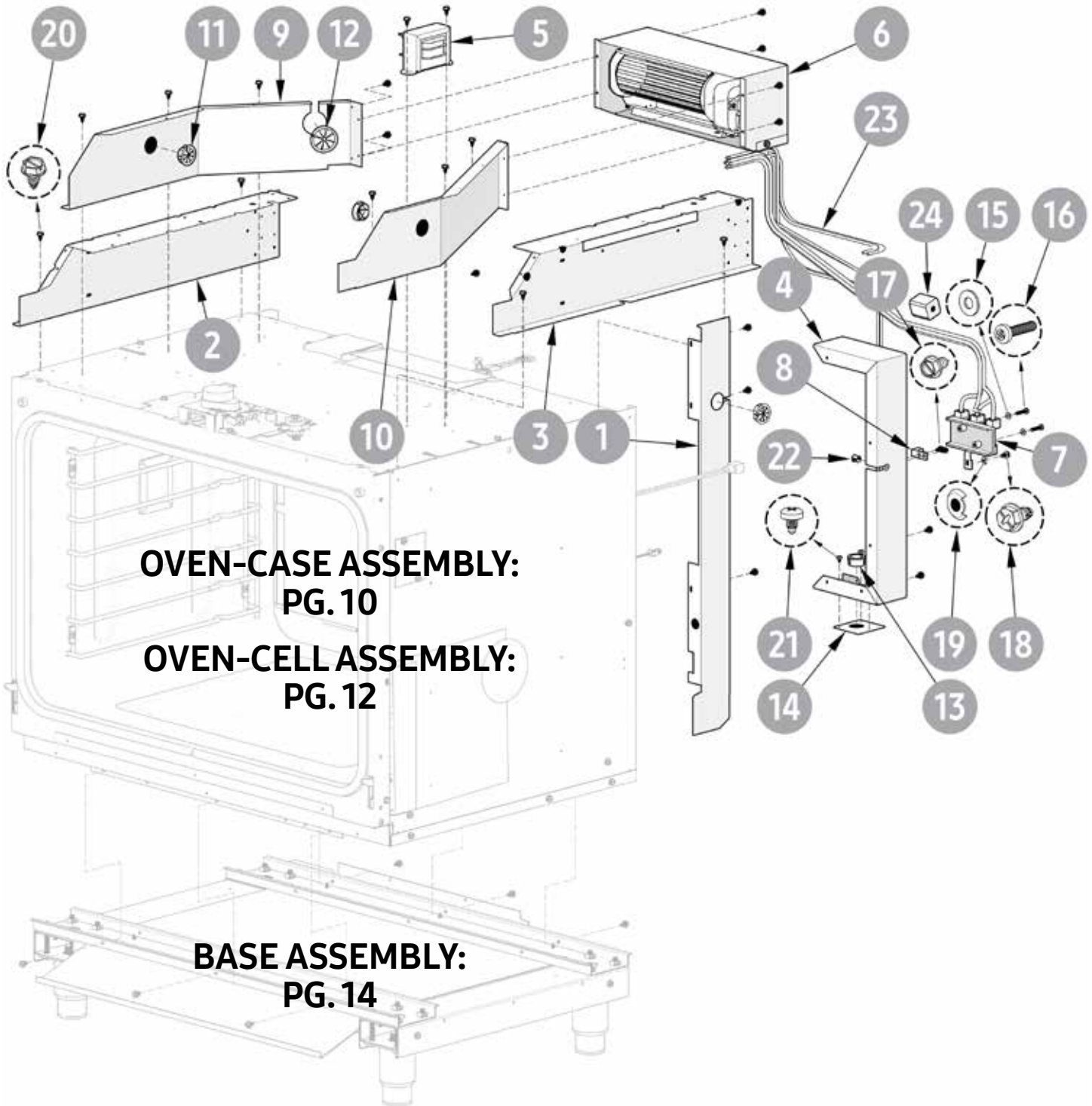
HIPR30/36 Cooktop-And-Oven Assembly Parts List

Item	Part No. (HIPR30S)	Part No. (HIPR36S)	Description
1	107804	107956AH	30.25" Kick-Panel Mounting
2	108243	108243	Transformer Access Cover
3	83023	83023	#10 x 3/8" Slotted Hex Washer-Head Screw
4	107883	?	Lower Side Support
5	113402	113402	Access-Board Cover
6	703171-01	703171-01	Single Relay Assembly
7	92191-02	92191-02	Split 1" Bushing
8	113774	113773	Spill-Tray Support
9	113845	113845	HIPR30/36 Back Cover
10	113690	113690	Electrical Chase Cover
11	113688	113688	Rear Cover
12	113847	113847	HIPR Enclosure
13	108687	108687	Upper Side Support
14	92191-01	92191-01	Split .75" Bushing
15	83007	83007	#8-32 x 1/4" Phillips-Head Screw
16	110582	110582	Cable Clamp
17	100285	—	Insulation Washer
18	113346	113346	Power-Board Wire Harness
19	113533	113533	BNF18GR Ferrite Core

[Return to Page 1](#)

HIPR30/36 Oven-Base Assembly

Parts List Next Page



Return to Page 1

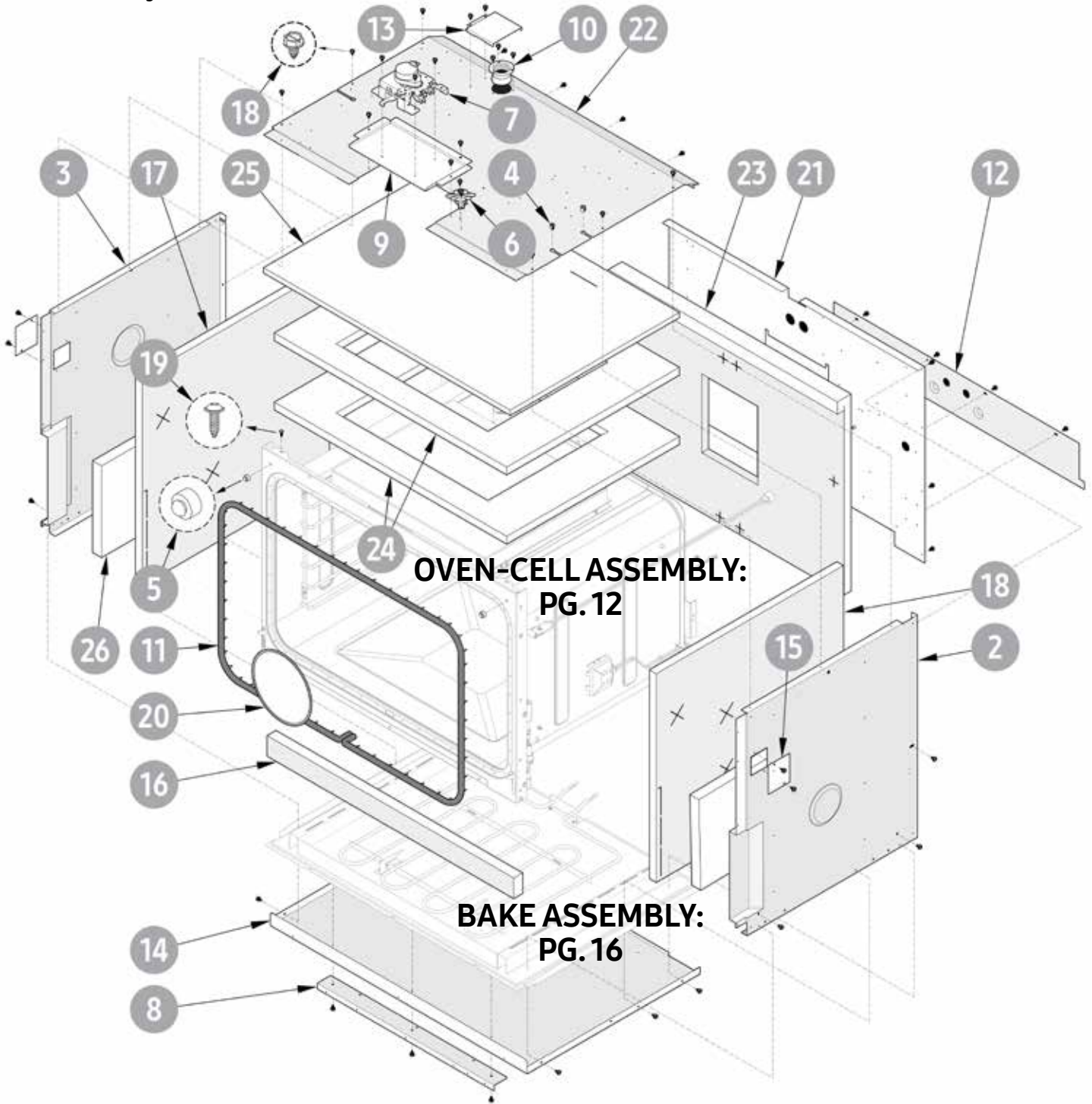
HIPR30/36 Oven-Base-Assembly Parts List

Item	Part No. (HIPR30S)	Part No. (HIPR36S)	Description
1	108251	108251	Side Exhaust Duct
2	107814-01	107814-01	Left-Hand Lower Support
3	107814-02	107814-02	Right-Hand Lower Support
4	113689	113689	Junction Box
5	62808	62808	40VA Transformer
6	701996	701996	Cooling-Fan Assembly
7	102384	102384	3-Pole Terminal Block
8	102383	102383	Grounding Lug
9	107961	107961	Left-Hand Air Deflector
10	108249	108249	Right-Hand Air Deflector
11	92191-02	92191-02	Split 1.00" Bushing
12	92191-03	92191-03	Split 1.375" Bushing
13	83056	83056	Heyco SB-875-11 Bushing
14	102385-01	102385-01	Hole-Reducer Adapter
15	83272	83272	#8 Stainless-Steel Flat Washer
16	83408	83408	#8-32 x 3/4" Phillips Pan-Head Screw
17	83019	83019	#8 x 3/8" (A) Point Hex-Head Screw
18	102403	102403	Slotted Hex-Head Screw
19	102402	102402	Cup Washer
20	83023	83023	#10 x 3/8" Slotted Hex-Washer-Head Screw
21	83001	83001	#8 x 1/4" Phillips Pan-Head Screw
22	83523	83523	3/8" Bushing
23	113758	113758	Main Harness
24	113533	113533	BNF18GR Ferrite Core

[Return to Page 1](#)

HIPR30/36 Oven-Case Assembly

Parts List Next Page



Return to Page 1

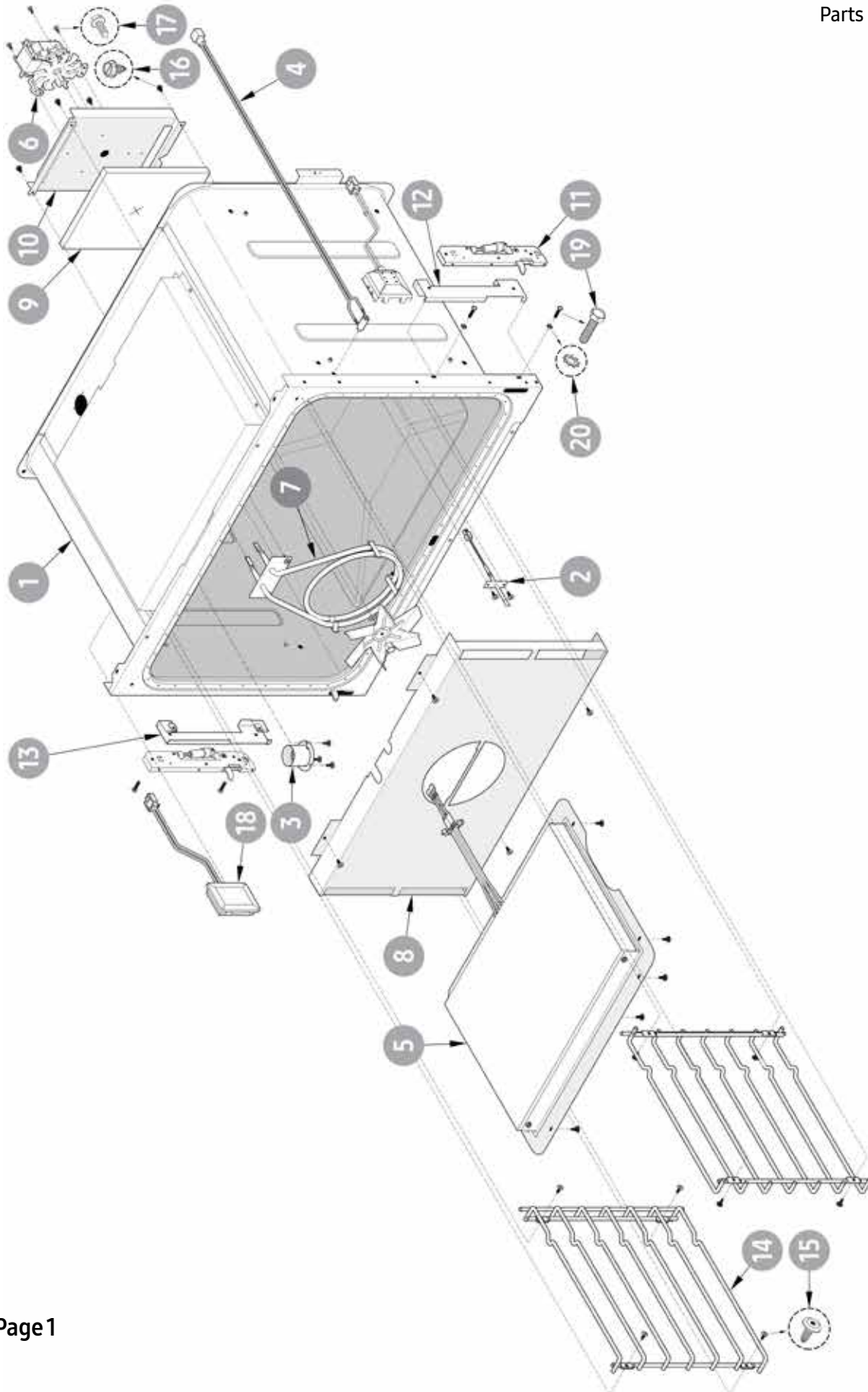
HIPR30/36 Oven-Case Assembly Parts List

Item	Part No.	Description
1	703562	30.25" Oven-Cell Assembly
2	701851	Right-Side-Case Weldment
3	701852	Left-Side-Case Weldment
4	83523	3/8" Bushing
5	108537	Door Bumper
6	92321	High-Limit Switch
7	100090	Classic Wall-Oven Latch
8	108070	30.25" Cell-Mounting Bracket
9	105356	Latch Plate
10	105485	Smoke-Eliminator Top
11	107743	36" Oven-Cell Gasket
12	107777	30.25" Bake Access Cover
13	107778	Smoke Duct
14	107780	30.25" Case Bottom
15	105471	Meat-Probe Cover
16	108368	Case Bottom Insulation
17	106977	Case Side Insulation
18	83023	#10 x 3/8" Hex-Washer-Head, Slotted Screw
19	83709	Black Oxide #8 x 1/2" Torx Screw
20	82891	Oven Convection Filter
21	701961	Case Rear Weldment
22	107776	30.25" Case Top
23	108552	Case Back Insulation
24	108554	Broil Insulation
25	108553	Broil Top Insulation
26	100910	Single-Point Igniter Insulation

[Return to Page 1](#)

HIPR30/36 Oven-Cell Assembly

Parts List Next Page



[Return to Page 1](#)

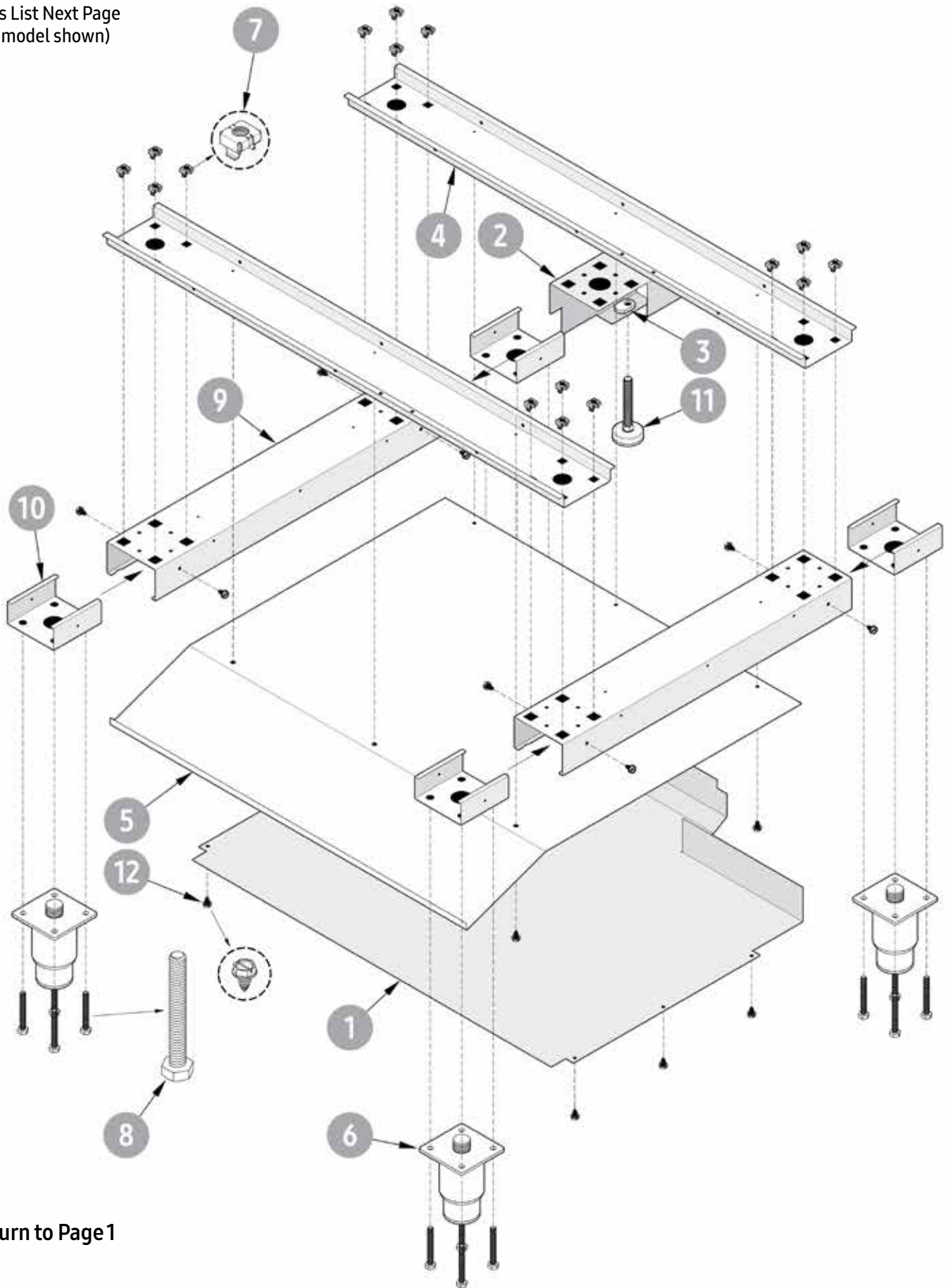
HIPR30/36 Oven-Cell-Assembly Parts List

Item	Part No. (HIPR30S)	Description
1	701927BP	30.25" Cell Weldment
2	72752	Temperature Sensor
3	72755	Smoke Eliminator
4	72717	Meat-Probe Socket
5	701529	Broil Assembly
6	700633	Convection-Fan Kit
7	82377	Convection Element
8	105329BP	Convection Baffle
9	80168	Convection-Motor Insulation
10	36280	Convection-Motor Mounting Plate
11	107511	Hinge-Receptacle Damper
12	701895-02	Welded Receptacle Bracket (right)
13	701895-01	Welded Receptacle Bracket (left)
14	106991	Support Rack
15	83708	#8 x 1/2" Wafer-Head Torx Screw
16	83023	#10 x 3/8" Slotted Hex-Washer-Head Screw
17	83379	#8-12 Thread Type-A Screw
18	113646	20W Halogen-Light Assembly
19	108509	#10-25 x .75" Hex-Head Machine Screw
20	108510	Extension-Tooth 10-32 Lock Washer

[Return to Page 1](#)

HIPR30/36 Base Assembly

Parts List Next Page
(36" model shown)



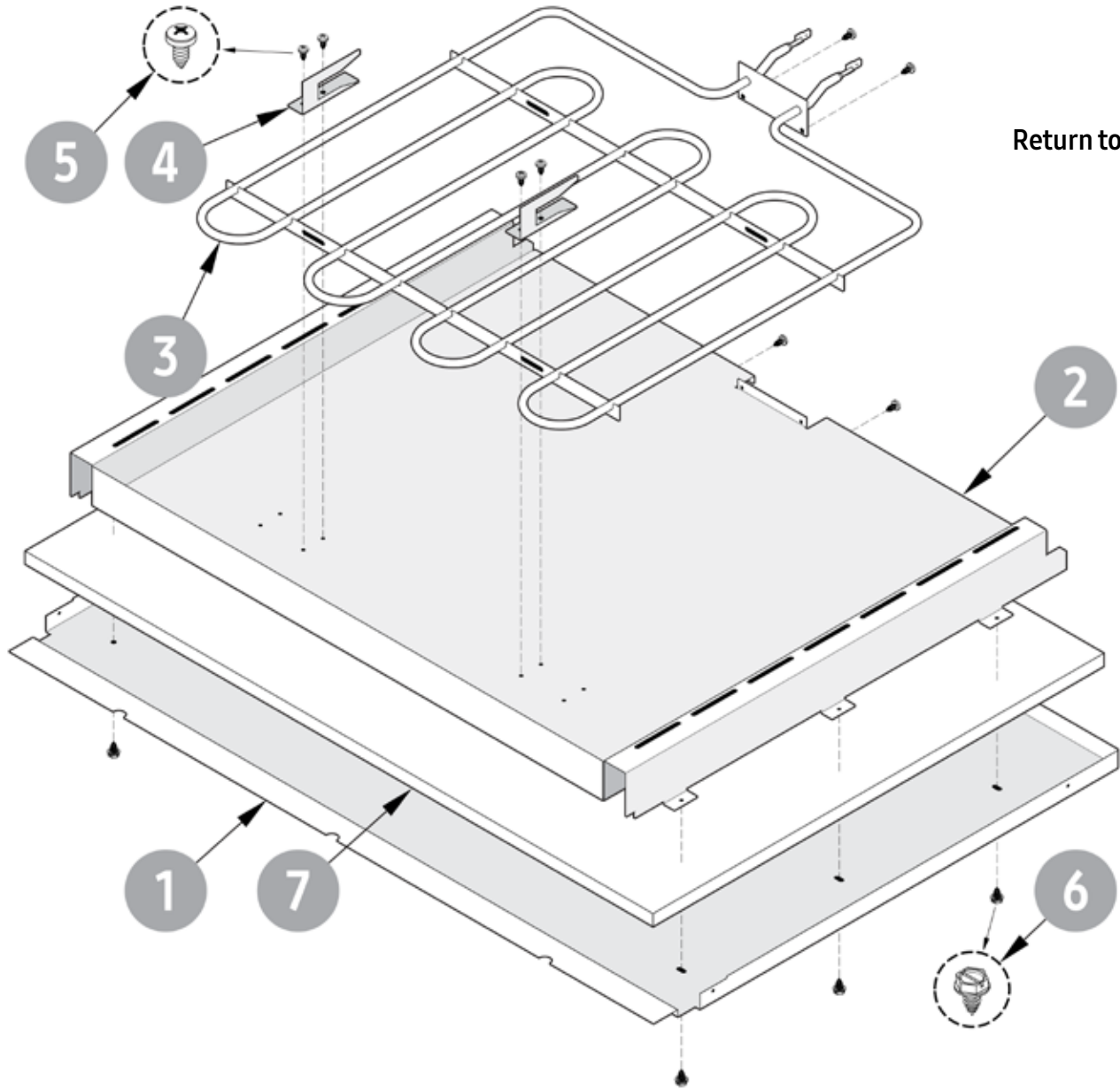
Return to Page 1

HIPR30/36 Base Assembly Parts List

Item	Part No.	Description
1	113515	36" Case Exit Duct
2	113373	Anti-tip Adjustable Leg Bracket
3	83027	5/16-18 Weld Nut
4	107957	Front/Rear Support Base
5	107959	36" Case Floor Exhaust
6	702864	Leg Housing
7	83398	¼"-20 Tinnerman Retainer Nut
8	113367	¼"-20 x 2" Hex-Head Bolt
9	113366	Side-Support Base
10	113365	Spacer Bracket
11	106440	Adjustable Leveler
12	83023	#10 x 3/8" Slotted Hex Washer Head Screw

[Return to Page 1](#)

HIPR30/36 Bake Assembly & Parts List



[Return to Page 1](#)

Item	Part No.	Description
1	107775	Case-Pan Bottom
2	107774	30.25" Cell Bake Pan
3	105373	240V 2500W 8-Pass Bake Element
4	107239	Bake-Element Holder
5	83505	Type-A #8 x 3/8" Screw
6	83023	#10 x 3/8" Slotted Hex Washer Head Screw
7	108367	Bake-Pan Insulation

